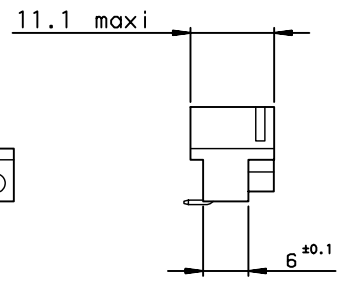
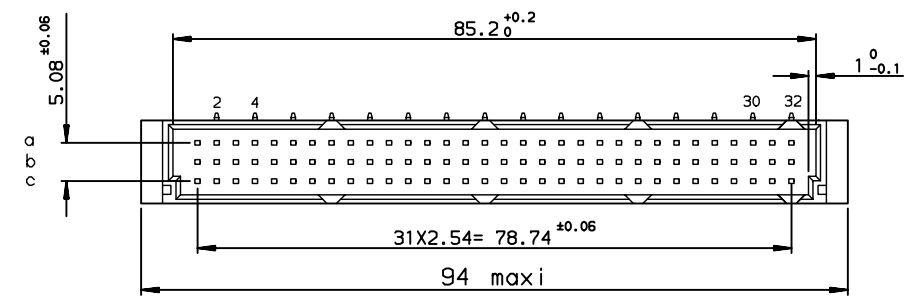
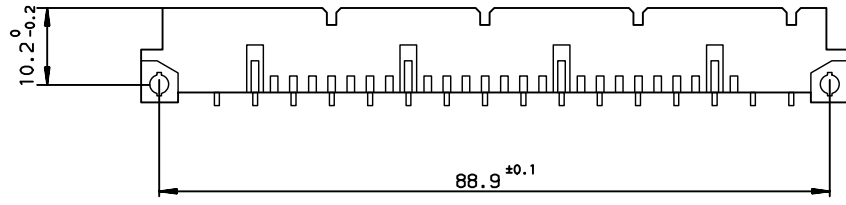
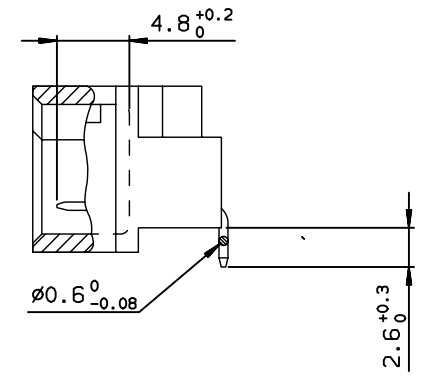


DIMENSIONS



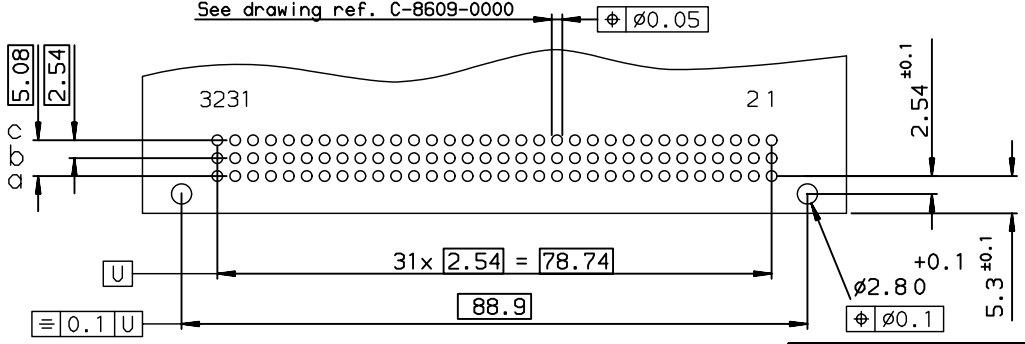
GENERAL CHARACTERISTICS : SEE DRAWING REF. C-8609-0000

TERMINATION



P.C. CARD DRILLING (Component side view)

See drawing ref. C-8609-0000



PART NUMBER : 8609-116-71-13-758-000-E1

European Views

www.fciconnect.com		surface ISO 1302 ✓	tolerance std ISO 406 ISO 1101	projection 1st angle	mm
TOLERANCES UNLESS OTHERWISE SPECIFIED					
ANGULAR	LINEAR	0.X	±0.1	size A3	Scale 1.5
0.XX	±2'	0.XX	±0.1	ECN LS07-0130	
0.XXX		0.XXX	±0.1	Product family DIN	Spec ref -
Dr	LEGALLIC	2001/02/23			
Eng	LEGALLIC	2001/02/23			
Chr	LEGARE	2001/02/23			
Appr	LEGARE	2001/02/23			
FCJ		title STD MALE 3 ROW		dwg no C-8609-1025	Rev. B
catalog no		-		CUSTOMER	sheet 1 of 1

rev	ecn no	dr	date
A	-	HLE	2001/02/23
B	LS07-0130	HLE	2007/06/07
-	-	-	-
-	-	-	-
-	-	-	-
-	-	-	-

Copyright FCJ.